

PROCONTROL

ProxerPort2 Glass

Glass panel swing gate

Half height glass panel entry gate with one glass swivel barrier, stainless steel framework, touch-free and presence detector equipped, motorized operation. Available for disabled access: 900mm net passage way and algorithm able to manage wheelchair access.

Structure

The main steel column contains all mechanical and electrical components. The ProxerPort2 can be used independently or in combination with other entrance gates. One, two or more lanes configurations are available. As it allows bi-directional passage, it always opens in the direction of crossing.

Basic types:

- ProxerPort2 Glass: high-gloss, polished, stainless steel framework with glass swivel gate, 900mm passage width
- ProxerPort2H Glass: high-gloss, polished, stainless steel framework with glass swivel gate, for disabled access, 1100mm passage width
- Custom sized are available for order

Form and variability:

ProxerPort 2 Glass is a small-sized, unified, easy to install model, providing great freedom of choice for architects and designers. The default framework is made of polished stainless steel, and the glass panel is from 10 mm thick toughened glass. Both the framework material and glass panel size can be ordered individually by the customer.



Properties:

- Intelligent glass panel entry gate with one glass swivel barrier
- Automatic, motorized swing gate
- Easy to integrate into access control systems; card reader can be controlled, managed
- Capable of two way motion monitoring
- Can be connected to fire alarms systems, in case of emergency gate switches into panic mode and provides free exit
- Chrome-nickel, high-grade steel frame with polished finish
- Flow rate approximately 35 persons per minute
- Vandal-proof design
- Remote management available
- CE approved, quality product; designed and manufactured in Hungary



Technical properties:



- Power supply: 12V DC
 - Power consumption: 3W (peak 200W)
 - Interface: RS485, optionally: RS422, RS232, Ethernet
 - Two gate controllers can be built in or connected (choice of customer)
 - Operating temperature range: 0°C - +50°C
 - Storage temperature range: -25°C - +60°C
 - Relative operational humidity: max. 80%
- Relative storage humidity: 90% maximum
 - Applied standards: PoE (Power Over Ethernet), Ethernet, RS485, eMarine V4001, glass structures of our glass swing gates are according to DIN 52290 standard, level A1 and MABISZ approved

Mechanical dimensions:

- See drawings below
- Glass panel width is upon customer request

Options:

- Entry controllers.
 - RFID (Proximity) chip card reader
 - Omnidirectional laser barcode reader
 - Magnetic stripe card (credit card-) reader
 - Fingerprint scanner
- Video camera and video recorder
- Infrared presence detector
- Wireless connection: 54Mbit Wi-Fi
- GPRS modem
- ProxerGate Remote Control
- Frame material and color optionally selectable upon request
 - high-gloss, corrosion resistant high-grade steel with polished finish (default design)
 - high-gloss, brass-coated, high grade steel with polished finish
 - brushed stainless steel
 - galvanized steel with polyester powder painted coating (RAL choice of colors)
- Sandblasted, unique trademark on the glass panel
- Uninterruptible power supply (UPS)



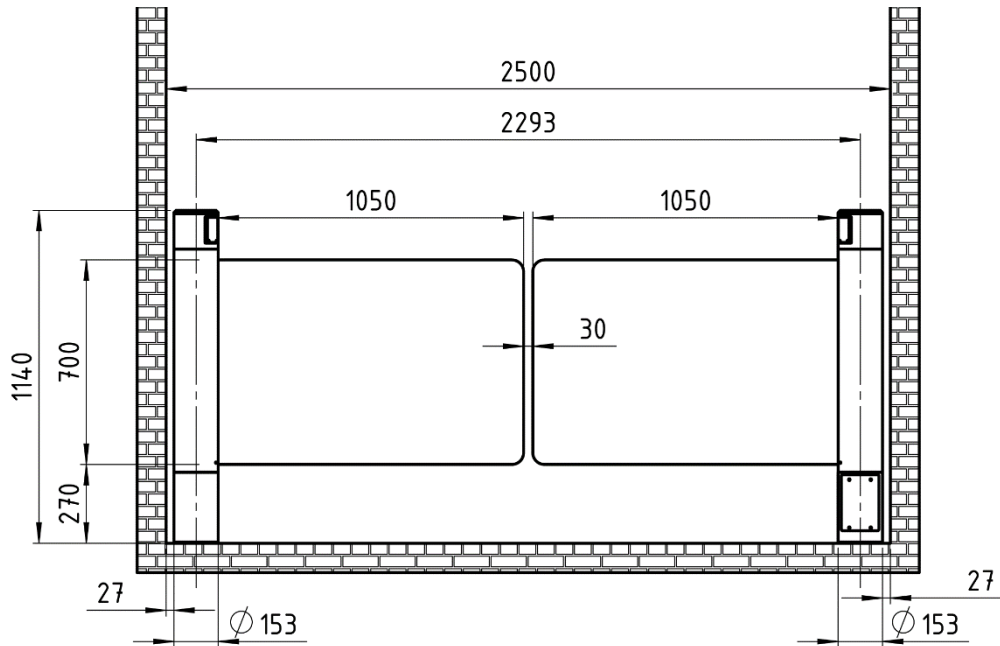
Application:

- offices, lobbies
- reception desks
- banks
- museum
- airports, etc.



Gate elements can be also ordered in requested forms and sizes. Painted trademarks can be engraved or printed onto glass made gate elements. Handrails, banisters can be made of stainless steel or in RAL colors.

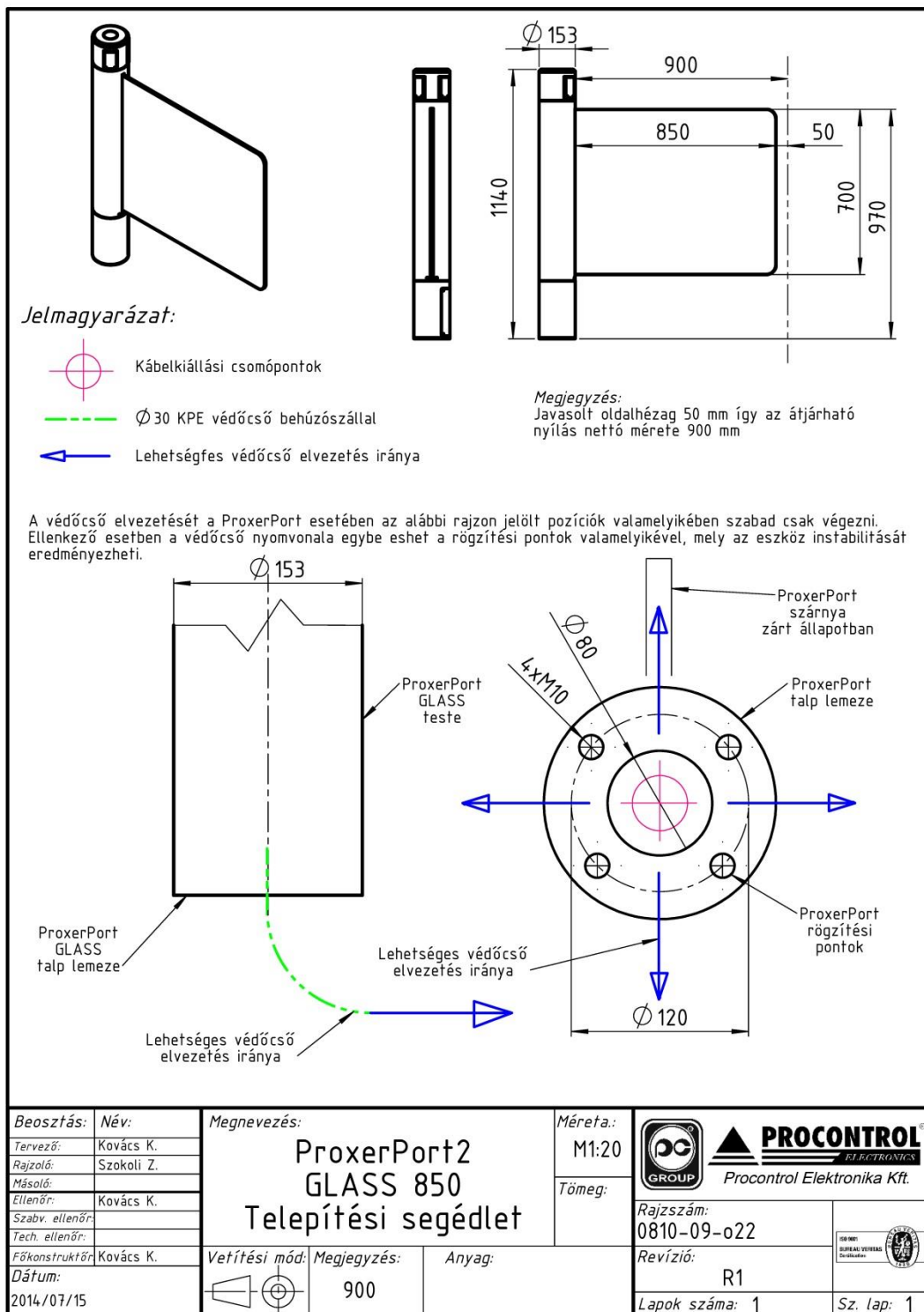
Gates can be also operated with external contact control.



2pcs synchronized, facing Procontrol ProxerPort2H Glass

PROCONTROL ELECTRONICS LTD.

ProxerPort2 Glass dimensional drawing



ProxerPort2H Glass dimensional drawing

